

Biocraft's Chromatography and TLC Apparatus

BCA-1 **Craft's Chromatography Cabinet**—The cabinet is made of seasoned wood *All internal surface are heavily coated with wax to make these resistant to most of solvents.* Tight closing is by special clamp, rubber gaskets are throughout the cabinet has glass windows on all four sides. **Rs. 7,500**

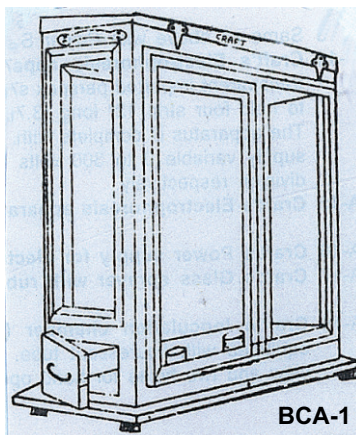
BCA-2 **Research Grade Medium size cabinet**— Inside chamber— 24" x 12" x 24"—(630mm x 300 x 630 mm) Complete with one stainless steel trough and six glass rods. **Rs. 5,880**

BCA-3 **Research Grade Small Size Cabinet** Inside Chamber 20"×10"×20" — **Rs. 5,290** 16"×16"×9" — **Rs. 4,100**

BCA-3-A **Craft's U.V. Chromatography Inspection Cabinet**—For viewing and detecting prepared substance on T.L.C. plates fitted with U.V. tube. An Eye protective glass window is provided **Rs. 5,370**

BCA-3-B **Craft's Portable Paper Chromatography Cabinet**—To conduct practical of ascending paper chromatography and determination of their R_f value. The Unit consist of: (i) Portable moulded bakelite small cabinet. (ii) Stainless steel hanger. (iii) S.S. Pot for solvent. (iv) Glass sprayer with rubber baloon. (v) Stand for drying wet chromatography sheet. (vi) T.L.C. Capillary. (vii) Chromatography paper sheet size 18 × 10 cm. packet of 25 sheets. (viii) Glass syringe. **Rs. 7,100**

BCA-3-C **Craft's Chromatography Jar**—Fitted with rubber cork metallic rod with hook. **Rs. 550**



CHROMATOGRAPHY PAPER AND T.L.C.

BCA-5 **Loose sheet paper** **Rs. 2,600** per 10 Nos

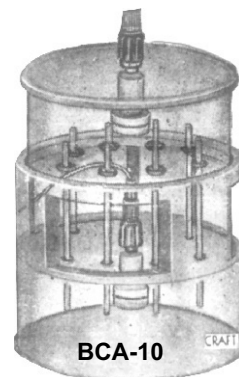
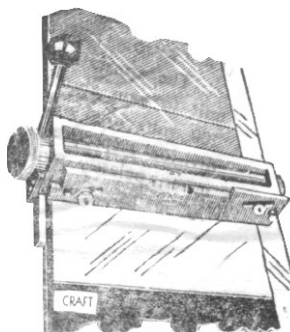
BCA-6 **Chromatography Paper** Indian 46 × 57 cm **Rs. 4,800** pack of 100 sheets

BCA-7 **T.L.C. Applicator** **Rs. 2,800**

BCA-8 **Craft's Thin Layer Chromatography Kit**—The kit includes applicator specially designed to give dependable service in drawing thin uniform layer with one imported filter gauge. Thin layer Drawing Board of perspex for 4 plates of special size. Drying Rack made of aluminium to hold 3 plates, Spotting guide is of transparent perspex, Developing chamber of rectangular jar with lid with anodized aluminium chamber, Micropipettes of 0.1 ml. Silica-gel 250 gms. 5 glass plates square size of 20 cm. uniform thickness, complete kit. **Rs. 6,850** each

BCA-10 **Craft's Disc GEL Electrophoresis**—It is made of Imported Acrylic sheet. This Disc Circular Apparatus is provided with arrangement for holding 12 Gel tubes with easily detachable upper buffer chamber. Fitted with platinum electrodes. **Rs. 3,650**

BCA-11 Same as above **with Power Supply unit.** **Rs. 7,050**

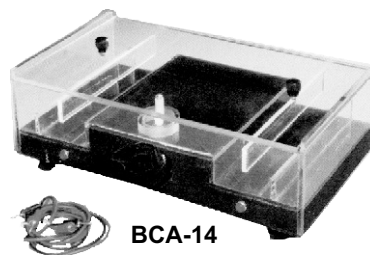


Biocraft's Chromatography and TLC Apparatus

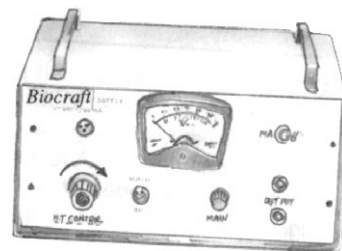
- BCA-12 **Craft's Immuno Electrophoresis Apparatus**—For Immuno Paper and Thin layer electro-phoresis Supplied with Micro-Immunological accessories which permit simultaneous study of eight standard Agarcoated slides, one paper strip carrier with platinum electrode. **Rs. 3,650**
- BCA-13 Same as above **with Power Supply.** **Rs. 7,050**
- BCA-14 **Craft's Electrophoresis apparatus (Paper model)** Sandon type—Constructed of clear transparent imported perspex sheet The apparatus is complete with power supply unit to gain absolutely steady and smooth DC supply variable 0 to 300 volts in 4 volts divisions and 0-50 milliampere in 1 milliampere division respectively. **Rs. 7,050**
- BCA-15 **Craft's Electrophoresis apparatus**—Complete as above but without power supply. **Rs. 3,650**
- BCA-16 **Craft's Vertical Slab Gel Electrophoresis App.** Complete with power supply. **Rs. 7,200**
- BCA-17 **Craft's Glass sprayer with rubber bellow**—Corning Glass **Rs. 415**
- BCA-18 **Craft's Inoculation chamber (Transfer Case)**—For sterile transfer of micro-organisms equipped with flourescent tube. Handsome furniture quality exterior with inclined glass to view and two holes for hand operation with Sunmica Size 27"x15"x15". Fitted with Imported Ultraviolet tube. **Rs. 6,600**
- BCA-20 **Craft's Inoculation chamber** Details BCA-18 Research grade Size-40" x 24" x 24" — Big size (sunmica) Fitted with Imported Ultraviolet Lamp **Rs. 9,900**
- BCA-22 **Craft's Tissue Culture Hood**—Made out of Imported Acrylic sheet with sunmica inside fitted with ultra violet tube and flourescent tube. size 27" x 15" x 15" **Rs. 8,600**
- BCA-25 **Inoculating Needles**—Bakelite or wooden handle with chuck **Rs. 38**



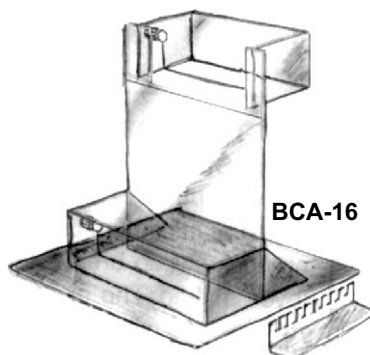
BCA-12



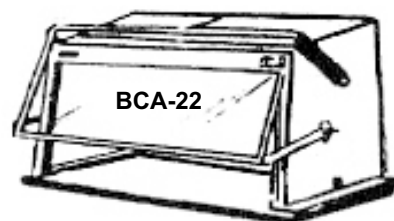
BCA-14



BCA-16



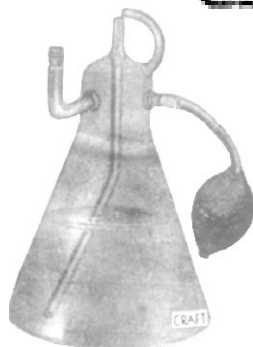
BCA-16



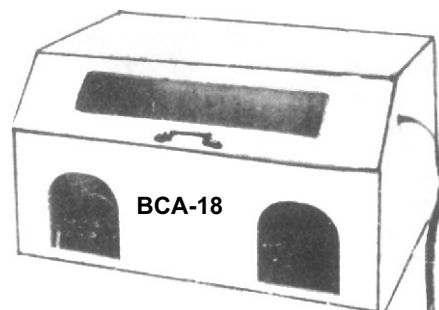
BCA-22



BCA-25



BCA-17



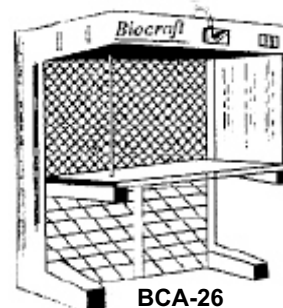
BCA-18

Biocraft's Chromatography and TLC Apparatus

BCA-26 **Craft's Laminar Flow** (Horizontal Laminar flow)—A package unit to provide clean air to any laboratory. It assures 99.97% removal of air borne particles as 0.3 microns in the work area. Double filtered laminar flow air bows through the work table at a controlled velocity of approx. 90 Lt./per mintue. Pre-filter of dry fiber washable type with the frame of on all the sides confirm the international standards 209 E. Statically balanced motor blower assembly (Heavy duty) velocity at the output of HEPA is 90 + 20 FPM noise level in very low vibration in also very low normal working fluorescent light. Complete with following accessories :

- (A) Stainless steel table top, (B) Tansparent front door,
 (C) Built in U.V. Germicidal light, (D) Static Pressure Manometer,
 (E) Cock for Gas

| Working area size | Wooden Body | M.S. body duly Powder coated | Stainless steel body |
|-------------------|-------------|------------------------------|----------------------|
| 2' x 2' x 2' | 45,300 | 98,500 | 1,26,000 |
| 3' x 2' x 2' | 52,400 | 1,18,500 | 1,57,500 |
| 4' x 2' x 2' | 61,200 | 1,41,000 | 1,90,600 |
| 6' x 2' x 2' | 77,000 | 1,82,000 | 2,98,500 |



BCA-26

BCA-27 **Craft's Laminar Flow (Vertical Bench/Hanging Model)**—Construction Detail as BCA-26 with following Accessories : (A) S.S. Table, (B) Transparent Front Door, (C) Built in UV tube, (D) Static Pressure Monometer, (E) Cock for Gas, (F) Exhaust System, (G) Exhaust Packing,

| Model No. | VL-22 | VL-32 | VL-42 |
|------------------------------------|------------|----------|----------|
| Working Area | 2'x2'x2' | 3'x2'x2' | 4'x2'x2' |
| Complete unit with all accessories | Rs. 56,000 | 64,000 | 83,000 |

ULTRAVIOLET LAMPS, TUBES AND STANDARD SIEVES

BCA-28 **Ultra Violet Lamp**—300 Watt Medical German. **Rs. 7,300**

BCA-30 **Ultraviolet Germicidal Tube**—Imported/Japan 3 feet and 30 watts. **Rs. 1,480**

BCA-31 —do— 1½ feet and 15 watt **Rs. 1,100**

BCA-32 Spare fittings for U.V. Tubes. **Rs. 750**

BCA-33 Goggles for Ultraviolet Lamps. **Rs. 240**

BCA-34 **Infra Red Lamp**—Complete with cord & stand. **Rs. 920**

BCA-35 **Sodium Vapour Lamp**—35 watts imported **Rs. 3,100**

BCA-35 (A) **Sodium Vapour Lamp**—55 watts imported **Rs. 0,000**

BCA-36 **Transformer for above Indian.** **Rs. 1,700**

BCA-37 **Box** for sodium vapour lamp—Wooden **Rs. 1,150**

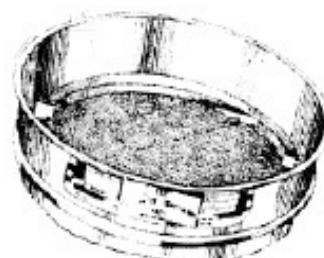
BCA-37 (A) **Mercury Bulb** 160 watt with choke and holder **Rs. 1,380**

BCA-38 **Standard Test Sieves**—Brass frame imported stainless steel-wire standard sieves cloth used. diameter = 20 cm (8")

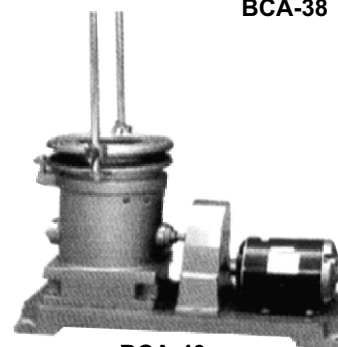
| | | | |
|-----|--------------------|------|-----------------------|
| I | 6 to 72 | Mesh | Rs. 655 each |
| II | 100, 120, 150, 170 | Mesh | Rs. 880 each |
| III | 200, 240, 300 | Mesh | Rs. 1,350 each |
| IV | 350 | Mesh | Rs. 1,100 each |
| V | 400 | Mesh | Rs. 2,300 each |

BCA-39 Set of 8 sieves with bottom and Lid **Rs. 4,800 set**

BCA-40 **Sieves Shaker Electrical**—Thermostatically controlled-Gyratory — **Rs. 24,800 each**



BCA-38



BCA-40